

# ICM 35533 1/35 Typ 770K (W150) Tourenwagen WWII German Leader's Car



**Cena :**

**151,00 PLN**

Producent : **ICM (Ukraine)**

Dostępność : **Na zamówienie (Oczekiwanie: 7~14 dni)**

Stan magazynowy : **bardzo wysoki**

Średnia ocena : **brak recenzji**

ICM 35533 Typ 770K (W150) Tourenwagen WWII German Leader's Car (1/35)

**On individual order**

Wysokiej jakości model plastikowy do sklejania.  
Bardzo ładnie wykonane detale zewnętrzne oraz wnętrze.  
Bardzo dokładny silnik.  
Szczegółowa instrukcja ułatwia składanie.

Uwaga: zestaw nie zawiera kleju i farb.

Producent: **ICM** (Ukraina)

MODEL KIT No 35533

## Typ 770K (W150) Tourenwagen

### WWII German Leader's Car

The passenger car Typ 770K (W150) was designed by Daimler-Benz in 1938. It became the top of the company pre-war model range. This car had 8-cylinder engine of 155 hp (with compressor 230 hp) and 6 passenger seats. There were produced only 88 Typ 770K (W150) cars up to the 1943, 46 of them with Tourenwagen type open bodies. Some cars had armored bodies. They were used mainly by the highest state and military authorities of Germany.

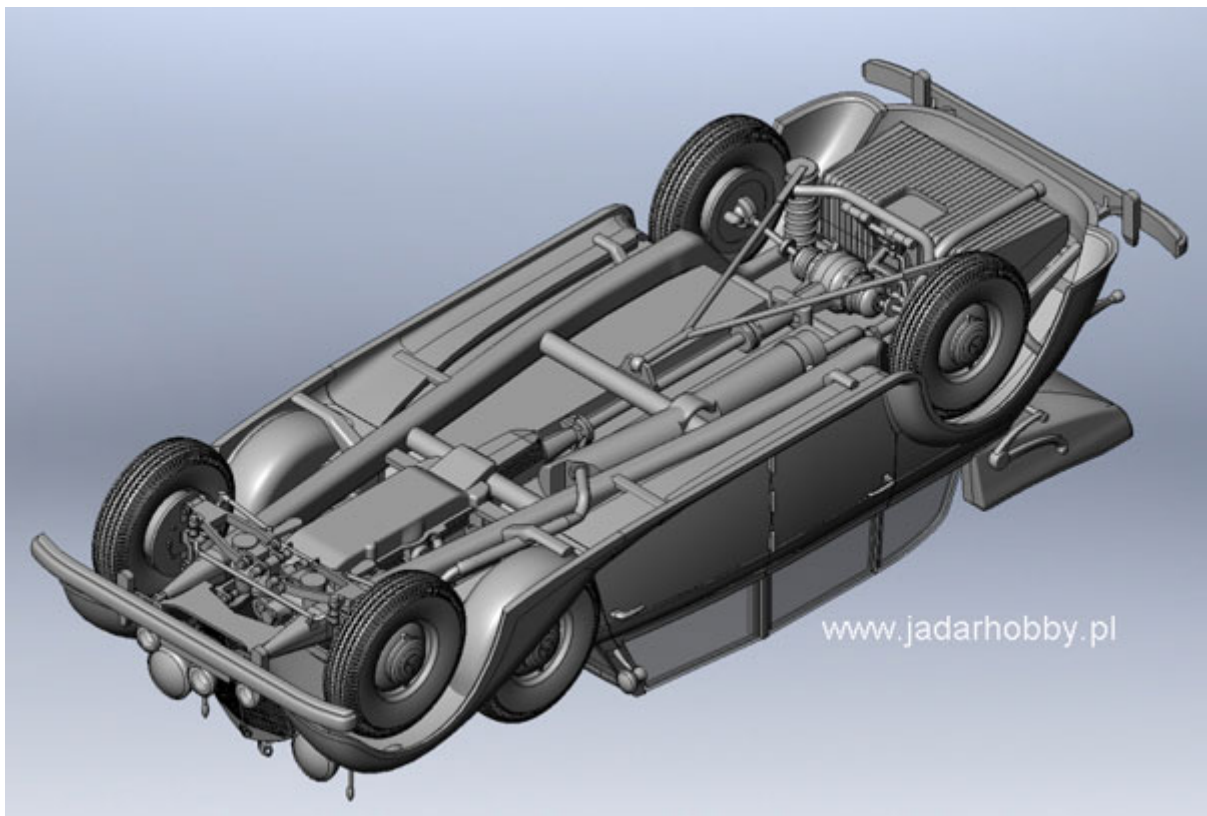
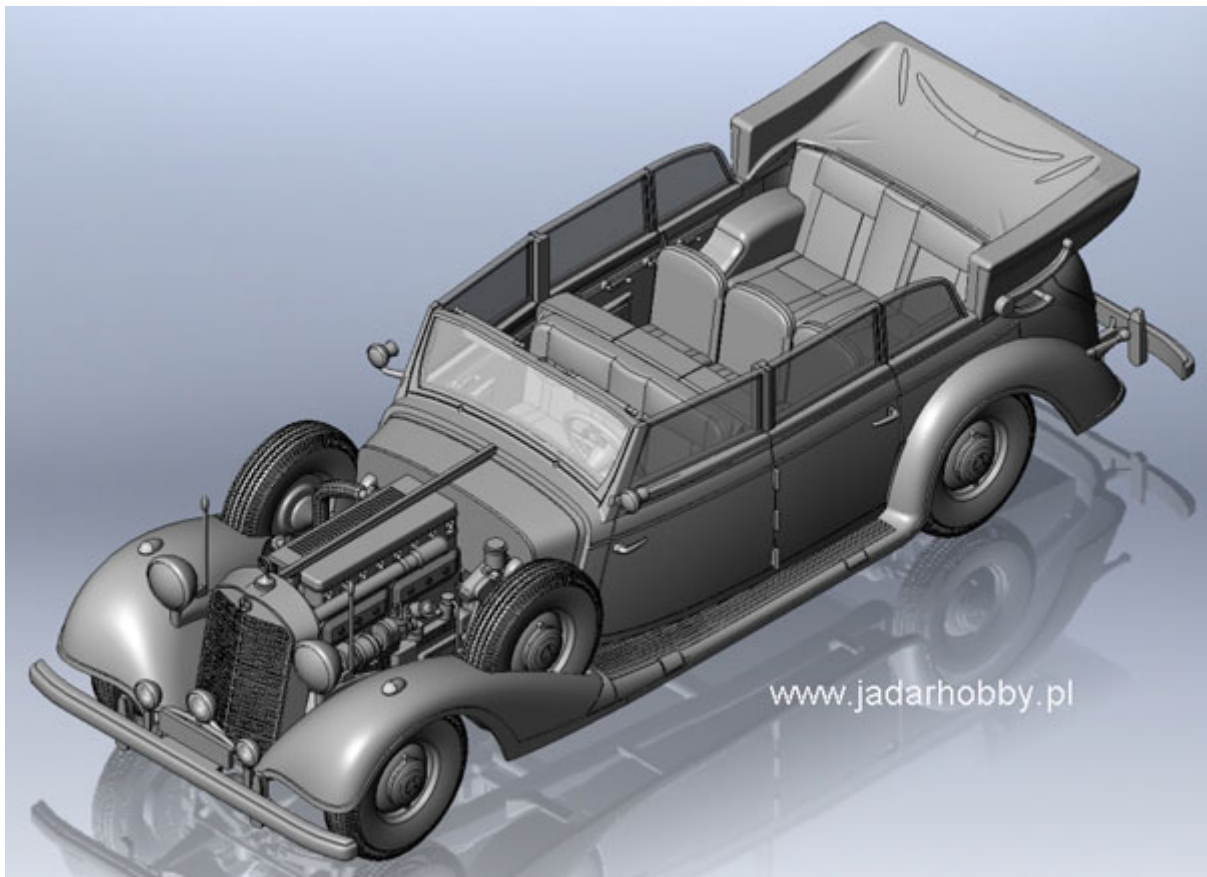
www.jadarhobby.pl

SCALE  
**1:35**

171 50 290

**ICM**  
*This is the Best*

- This particular kit is the very first attempt by ICM to release a Typ 770K (W150) plastic kit in 1:35 scale into the market
- Highly detailed chassis, engine and body interior
- 4 versions of each sheet included



Polecamy!

---