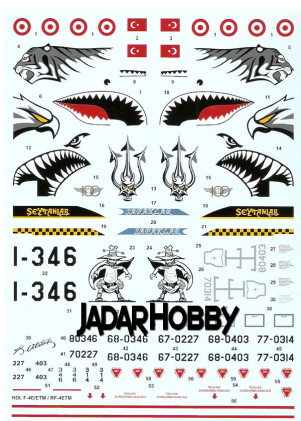


Hi-Decal 48028 1/48 F-4E / F-4ETM / RF-4 ETM Phantom II



Cena :

37,00 PLN

Producent : **Hi-Decal Line**

Dostępność : **Jest**

Stan magazynowy : **niski**

Średnia ocena : **brak recenzji**

Hi-Decal 48028 1/48 F-4E / F-4ETM / RF-4 ETM Phantom II

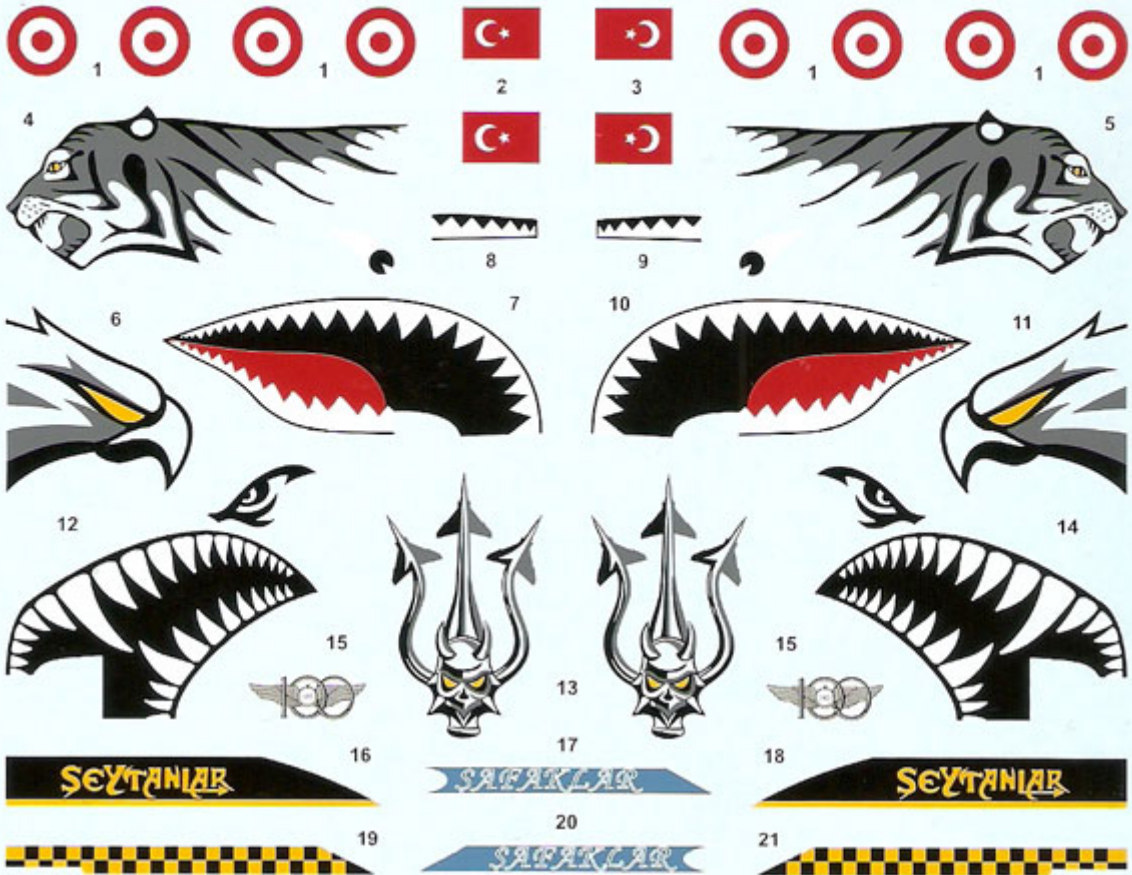
Wysokiej jakości kalkomanie do modeli samolotów w skali 1/48

Malowania:

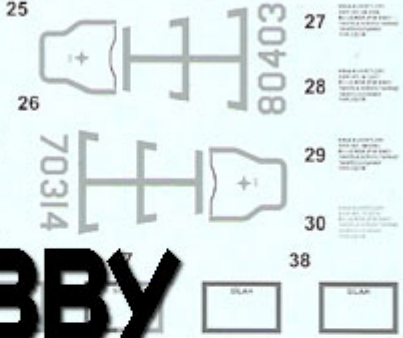
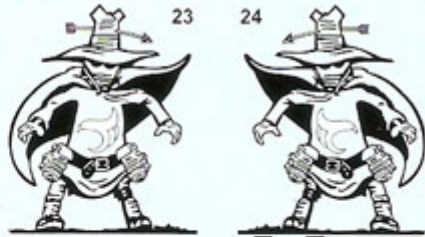
- * 68-0346 F-4E Phantom II - 111 Filo "Panter", ex NJ ANG, with big "Tiger head" on the front fuselage, 1993.
- * 68-0403 F-4ETM Simsek - 112 Filo "Seytan", with big Sharkteeth and "Devil head" artwork on the tail, 2011.
- * 67-0227 F-4E Phantom II - 172 Filo "Sahin", with Sharkteeth and big "Falcon head" artwork on the tail, 2010.
- * 77-0314 RF-4ETM Isik - 173 Filo "Safak", with big "Spook" artwork on the tail and new disruptive camouflage scheme. 2012.

Wymiar kalkomanii: 130mm x 180mm

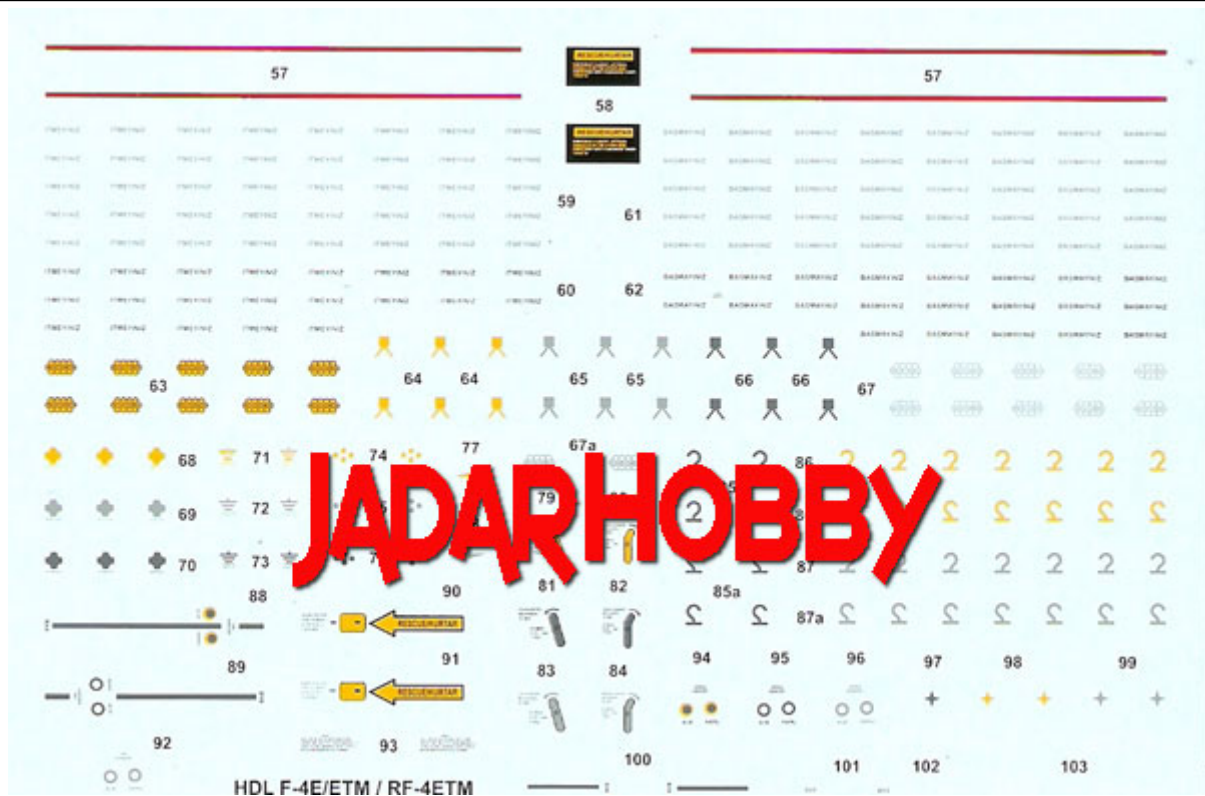
Producent: **Hi-Decal Line** (Niemcy)

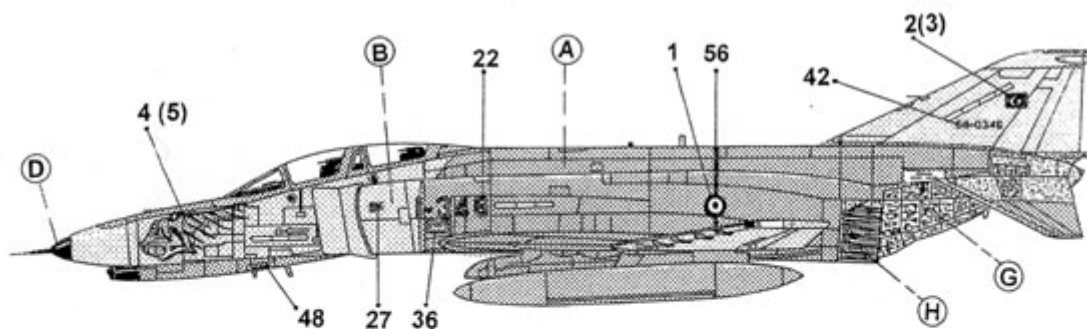


22 I-346
23 I-346

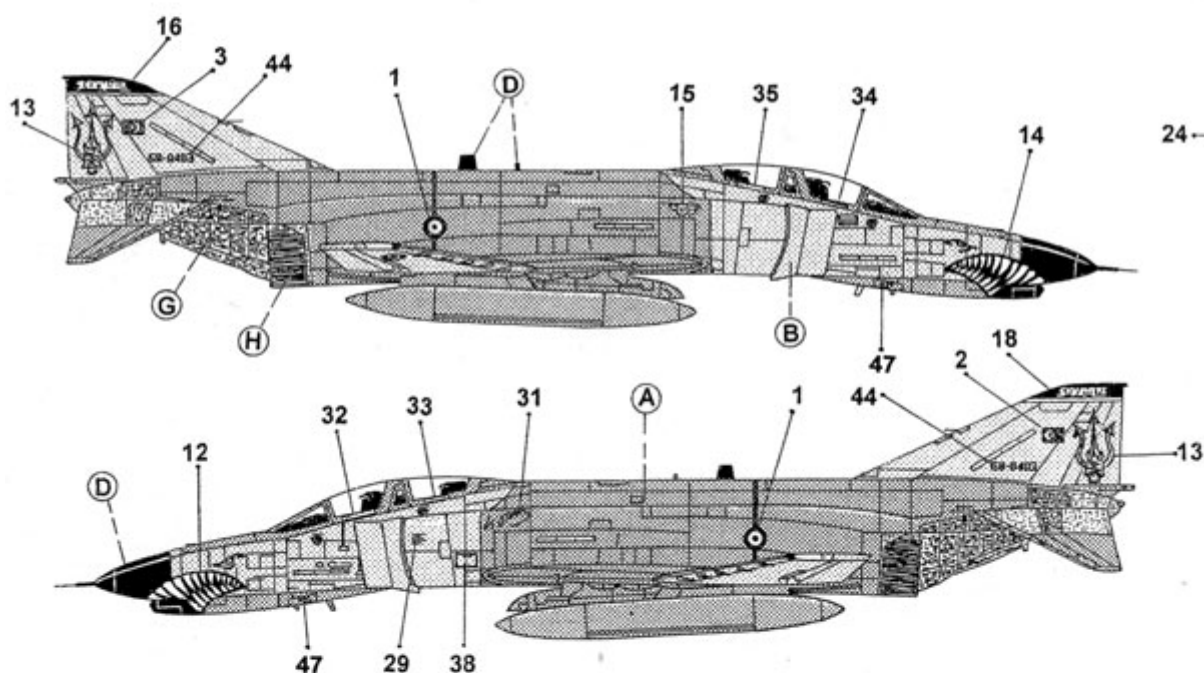


39 *H. Altınok*
40 80346 68-0346 67-0227 68-0403 77-0314
41 70227 68-0346 67-0227 68-0403 77-0314
42 43 44 45
46 47 48 49 50 51 52 53 54 55
227 403 3 3 3 3 3 3 3 3 3 3
227 403 4 4 4 4 4 4 4 4 4 4
51 52 53 54 55
HDL F-4E/ETM / RF-4ETM
↓ ↓ TEHLİKE DÜRDÜRME KANCASI TEHLİKE DÜRDÜRME KANCASI TEHLİKE DÜRDÜRME KANCASI TEHLİKE DÜRDÜRME KANCASI
56

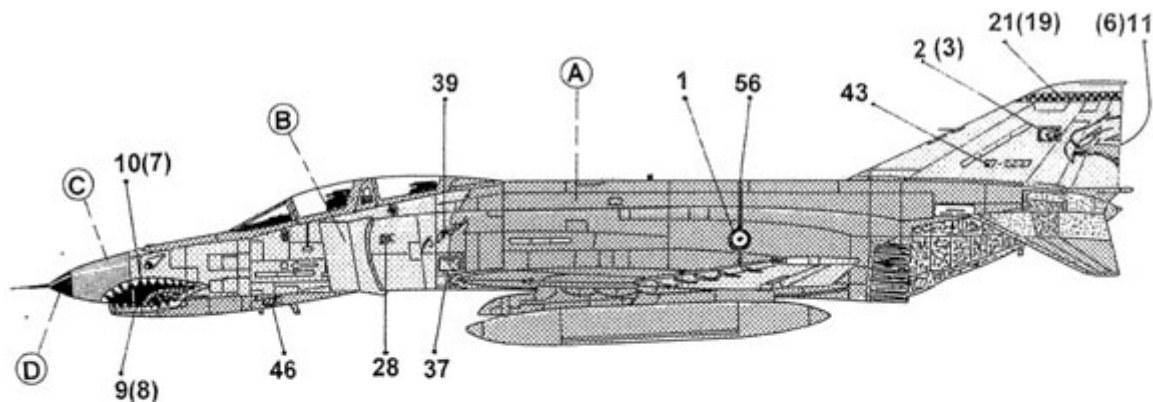




1 F-4E 67-0346, 111th Sqn "Panter", TuAF. 1st Main Jet Base Eskisehir, 1992
 This F-4E previously served with the 141th TFS, NJ ANG, and has been transferred to the TuAF under the Peace Diamond VI program in August 1991. The 111th Sqn uses their Phantoms in the Fighter-Bomber role.

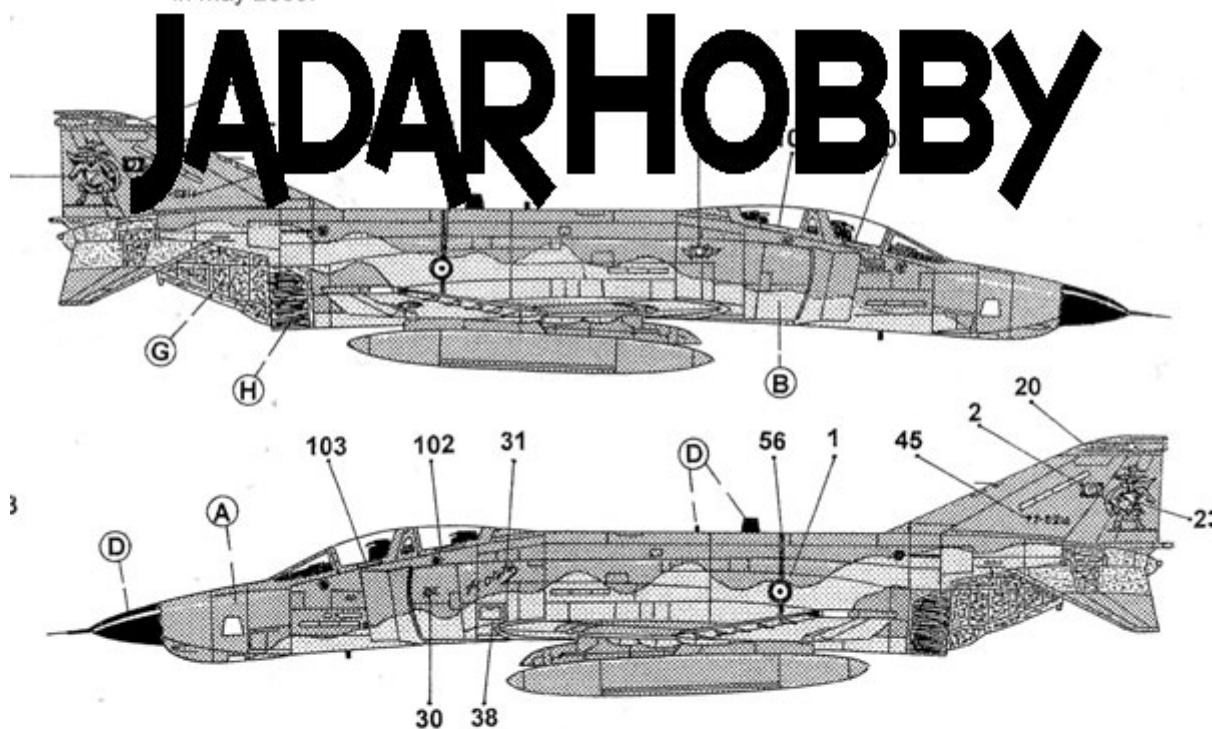


2 F-4ETM 68-0403, 112th Sqn. "Seytanlar", TuAF. 1st Main Jet Base Eskisehir, 2011
 This jet came to the TuAF from the 110TFS, 131 TFW, Missouri ANG, during 1991 under Peace Diamond VI. It was the first of 16 F-4Es to be upgraded to the F-4ETM "Simsek" (Lightning) standard during 2010. The 112th Sqn uses the F-4ETM in the Air Defence role.



3 F-4E 67-0227, 172nd Sqn. "Sahin", TuAF. 7th Main Jet Base Erhac / Malatya, 2010

This Phantom was delivered to the TuAF under Peace Diamond III during 1987 and served with the 172nd Sqn in the Air Defense role, till the unit's disbandment in May 2009.



4 RF-4ETM 77-0314, 173th Sqn "Safaklar", TuAF. 7th Main Jet Base Erhac / Malatya, 2012

This LES equipped recce jet was one of the eight new-built RF-4Es delivered to the TuAF during 1979 under Peace Diamond II. 77-0314 was one of 18 aircraft modernized to the newest RF-4ETM standard during 2010 and one of only two TuAF Phantoms to employ the IAI/ELOP LOROP recce-pod, housing the KS-146B long-range oblique camera. 77-0314 was lost above the East Mediterranean Sea, shot down by a Syrian SAM, on June 22nd, 2012.