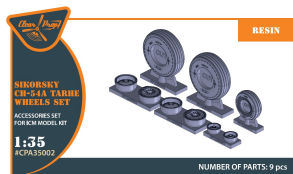


Clear Prop Models CPA35002 1/35 AMX CH-54A Tarhe wheels set



Cena :

44,00 PLN

Producent : **Clear Prop Models**

Dostępność : **Na zamówienie (Oczekiwanie: 2-4 tygodnie)**

Stan magazynowy : **bardzo wysoki**

Średnia ocena : **brak recenzji**

On individual order

Clear Prop Models CPA35002 1/35 AMX CH-54A Tarhe wheels set

Zestaw zawiera 9 elementów żywicznych do waloryzacji modeli ICM

Producent: **Clear Prop Models** (Ukraina)



SIKORSKY CH-54A TARHE WHEELS SET

ACCESSORIES SET
FOR ICM MODEL KIT

1:35
#CPA35002

RESIN



NUMBER OF PARTS: 9 pcs

1 stages of assembly

? optional

A variants of assembly

do not glue

A1 part number

make a hole

1 apply decals

detach with knife

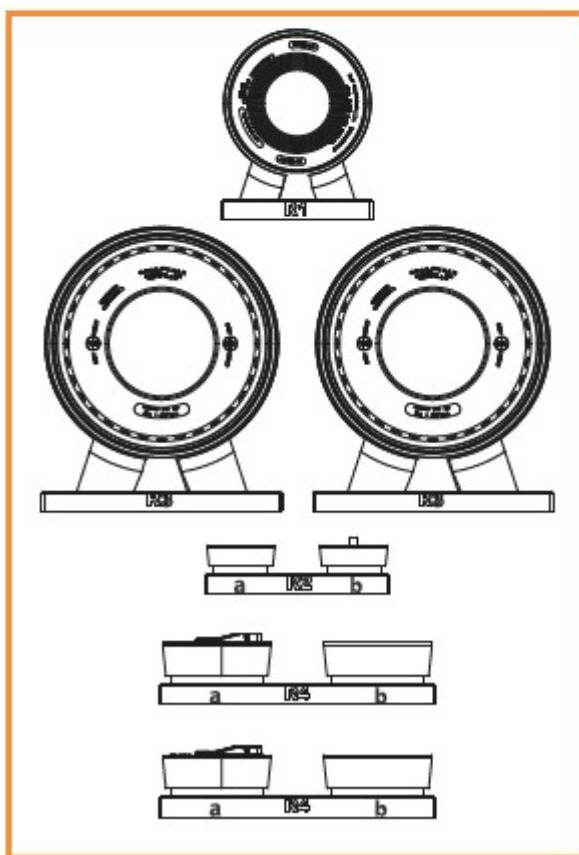
1 apply the adhesive mask

paint

bend

repeat the operation N times

THIS SET CONTAINS:



This product contains metal and resin detail parts for upgrading scale plastic models.

WARNING! This set contains small and sharp parts. Work carefully in a ventilated and well-lit room. Safety glasses are recommended. This product is not suitable for children below 14 years of age.